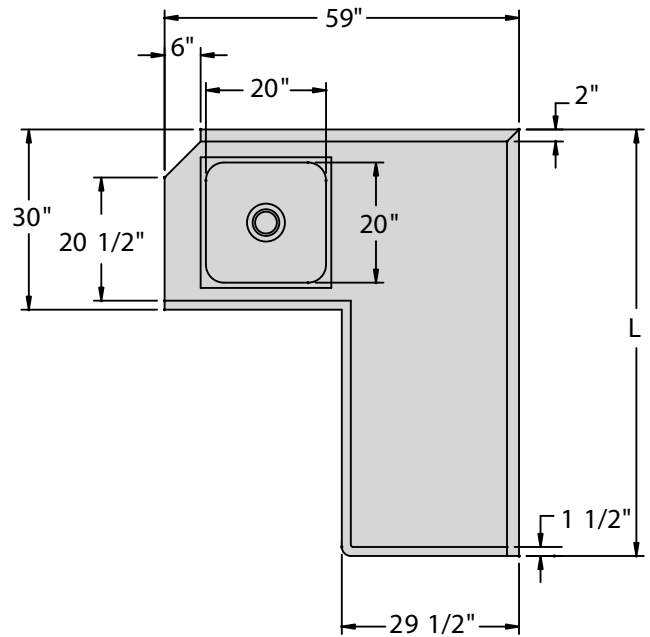
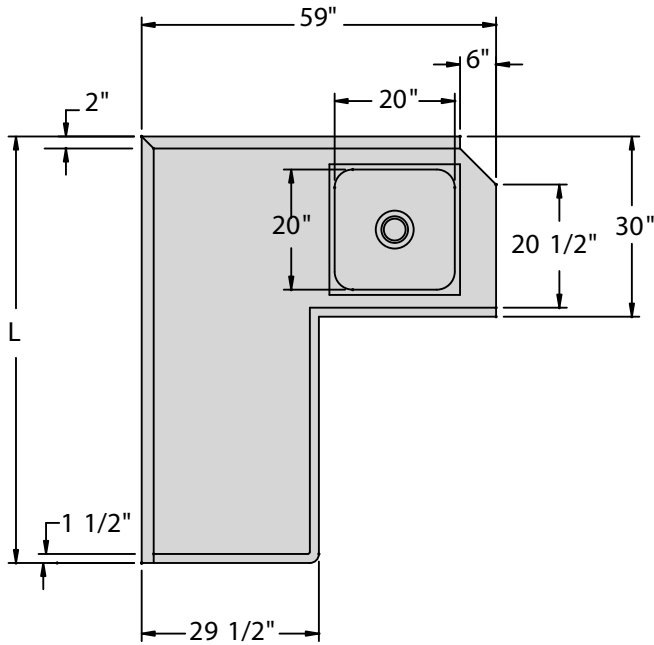


Soiled Dish Tables



Corner Soiled Dish Table

- Heavy duty 16 Gauge 304 series stainless steel construction, complete with:
 - 7.5" backsplash
 - Stainless steel perforated pre-rinse basket
 - Faucet holes on 8" centres
 - Galvanized legs and cross brace and adjustable bullet feet

See full line of Pre-Rinse Units starting on page 22



Model No.	Description	Overall Size D" x L" x H"	Prerinse Bowl Size D" x L" x H"	Weight lbs.
CSDT36L	Sink on RIGHT	30 x 36 x 35/40	20 x 20 x 5	70
CSDT36R	Sink on LEFT	30 x 36 x 35/40	20 x 20 x 5	70
CSDT48L	Sink on RIGHT	30 x 48 x 35/40	20 x 20 x 5	85
CSDT48R	Sink on LEFT	30 x 48 x 35/40	20 x 20 x 5	85
CSDT60L	Sink on RIGHT	30 x 60 x 35/40	20 x 20 x 5	100
CSDT60R	Sink on LEFT	30 x 60 x 35/40	20 x 20 x 5	100
CSDT72L	Sink on RIGHT	30 x 72 x 35/40	20 x 20 x 5	115
CSDT72R	Sink on LEFT	30 x 72 x 35/40	20 x 20 x 5	115

Optional Stainless Steel Legs and Undershef available, see page 14

Sizes nominal, detailed specifications available upon request.
Specifications subject to change without notice.

Wall Shelf Dish Rack		
Model No.	Size D" x L" x H"	Weight lbs.
WSDR22-1	16/22 x 22 x 16	22
WSDR22-2	16/22 x 42 x 16	32
WSDR22-3	16/22 x 62 x 16	42
WSDR22-4	16/22 x 82 x 16	52

Mounting hardware not supplied

Sizes nominal, detailed specifications available upon request.
Specifications subject to change without notice.

Wall Shelf Dish Rack

- Heavy duty 16 Gauge 304 series stainless steel
- Solid stainless steel slanted formed wall mount shelf rack complete with:
 - Two solid end brackets
 - Drip tube for drainage

